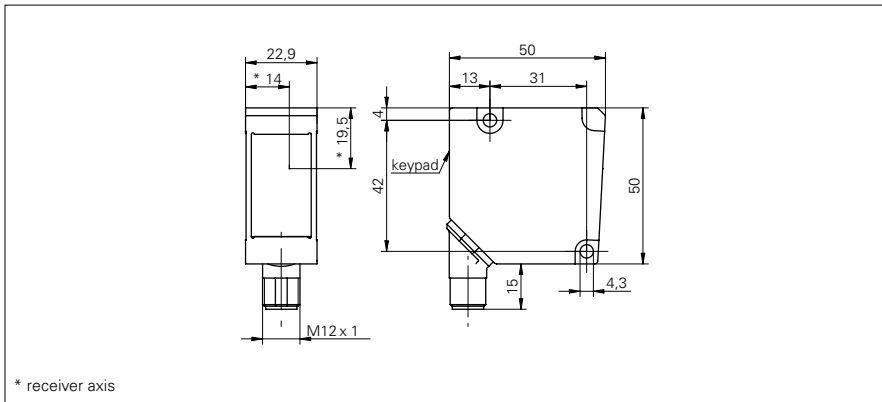


Edge sensors

ZADM 023H300.0011

dimension drawing



general data

| | |
|--------------------------------|--------------------------------------|
| type | measuring mode: edges, center, width |
| measuring field size | 30 mm |
| measuring distance (to object) | 50 mm |
| measuring frequency | 500 Hz |
| resolution | < 0,03 mm |
| smallest object recognizable | 0,3 mm |
| linearity error relative | < 0,3 % |
| light source | pulsed infrared diode |
| wave length | 880 nm |
| adjustment | Teach-in |

electrical data

| | |
|------------------------------------|-------------------|
| response time | < 2 ms |
| voltage supply range +Vs | 15 ... 28 VDC |
| current consumption max. (no load) | 150 mA |
| output signal | 4 ... 20 mA |
| switching output | PNP |
| output function | Out 1 / Out 2 |
| output current | < 100 mA |
| interface | analog and RS 485 |
| baud rate | 19200, adjustable |
| reverse polarity protection | yes, Vs to GND |

mechanical data

| | |
|------------------|--------------------------------|
| width / diameter | 23 mm |
| type | rectangular |
| housing material | die-cast zinc |
| front (optics) | glass |
| connection types | connector M12 8 pin, rotatable |

ambient conditions

| | |
|-----------------------|--------------|
| operating temperature | 0 ... +55 °C |
| protection class | IP 67 |

photo



connection diagram

